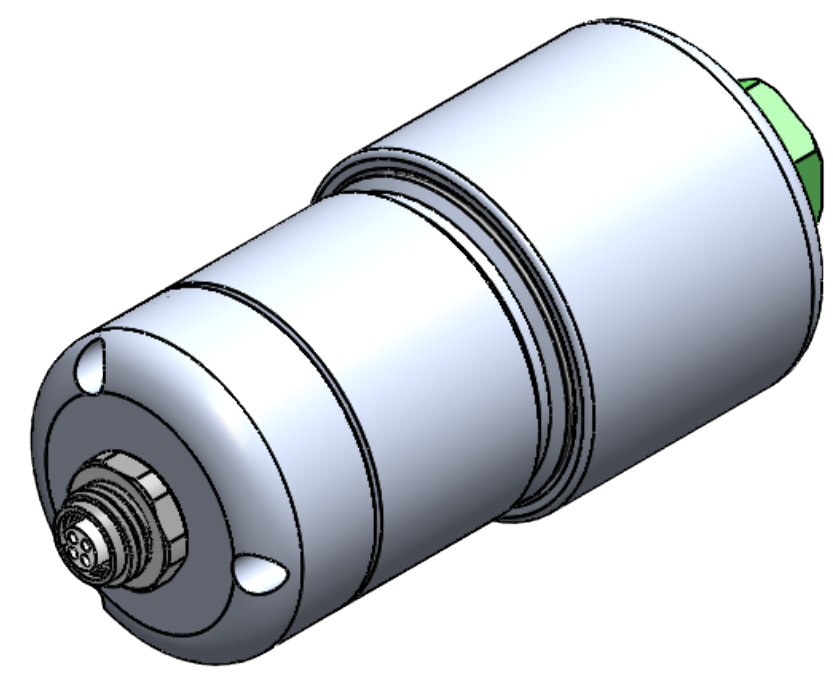
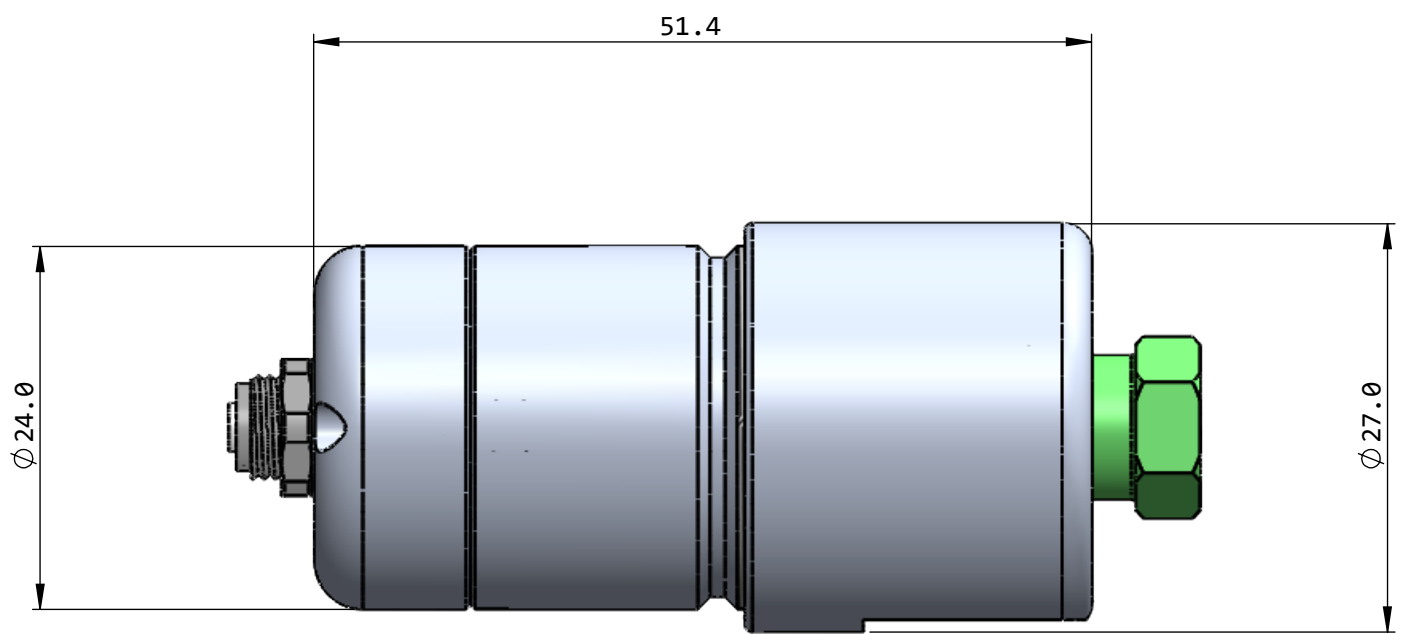
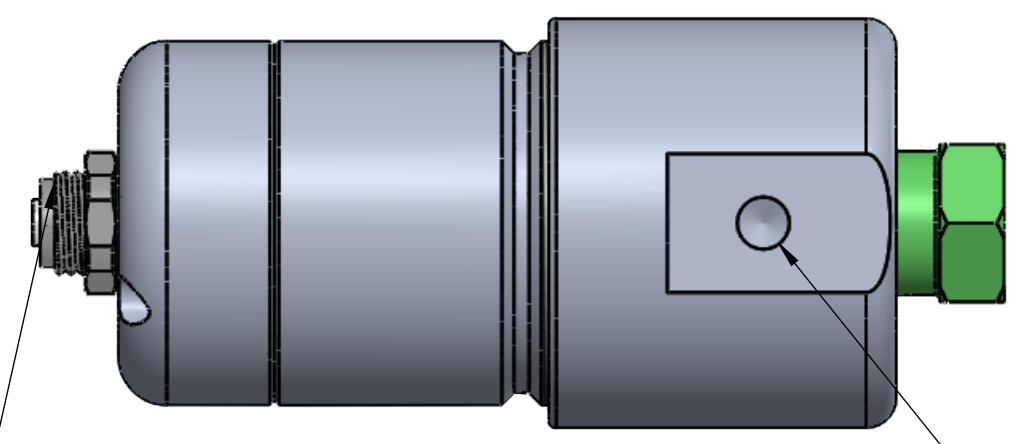


8 7 6 5 4 3 2 1

D
C
B
A



D
C
B
A




M5 ELECTRICAL CONNECTOR

8-32 UNC $\nabla 4.0$

Dimensions in mm
For Information Purposes Only

PROPRIETARY
THE INFORMATION CONTAINED IN THIS DRAWING
IS THE SOLE PROPERTY OF Doric Lenses Inc..
ANY REPRODUCTION IN PART OR AS A WHOLE
WITHOUT THE WRITTEN PERMISSION OF
Doric Lenses Inc. IS PROHIBITED.

DO NOT SCALE DRAWING

	357 rue Franquet, Quebec, QC G1P 4N7, Canada; Tel: 418 877 5600; doriclenses.com;
	TITLE:
FDH	
DWG. NO.	D490-1010
	2019-04-10

8 7 6 5 4 3 2 1

A

A