

Dimensions in mm
For Information Purposes Only

PROPRIETARY
THE INFORMATION CONTAINED IN THIS DRAWING IS THE SOLE PROPERTY OF **Doric Lenses Inc.** ANY REPRODUCTION IN PART OR AS A WHOLE WITHOUT THE WRITTEN PERMISSION OF **Doric Lenses Inc.** IS PROHIBITED.

DO NOT SCALE DRAWING

doric	357 rue Franquet, Quebec, QC G1P 4N7, Canada; Tel: 418 877 5600; doriclenses.com;
TITLE:	Generic MFP Termination for ZF2.5(F) (with SC Flange)- 1100 and less
DWG. NO.	S212-0068
	10-2-2022

8 7 6 5 4 3 2 1

D

D

ZIRCONIA

METAL

POLYOLEFIN

PVC

C

C

B

B

$\varnothing 2.5$

8.0

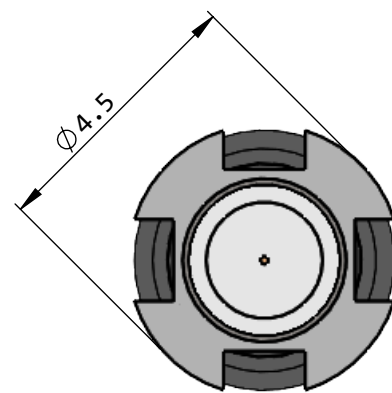
3.4

20.0

$\varnothing 4.3$

A

A



Dimensions in mm
For Information Purposes Only

PROPRIETARY
THE INFORMATION CONTAINED IN THIS DRAWING IS THE SOLE PROPERTY OF **Doric Lenses Inc.** ANY REPRODUCTION IN PART OR AS A WHOLE WITHOUT THE WRITTEN PERMISSION OF **Doric Lenses Inc.** IS PROHIBITED.

DO NOT SCALE DRAWING

doric 357 rue Franquet, Quebec, QC G1P 4N7, Canada;
Tel: 418 877 5600;
doriclenses.com;

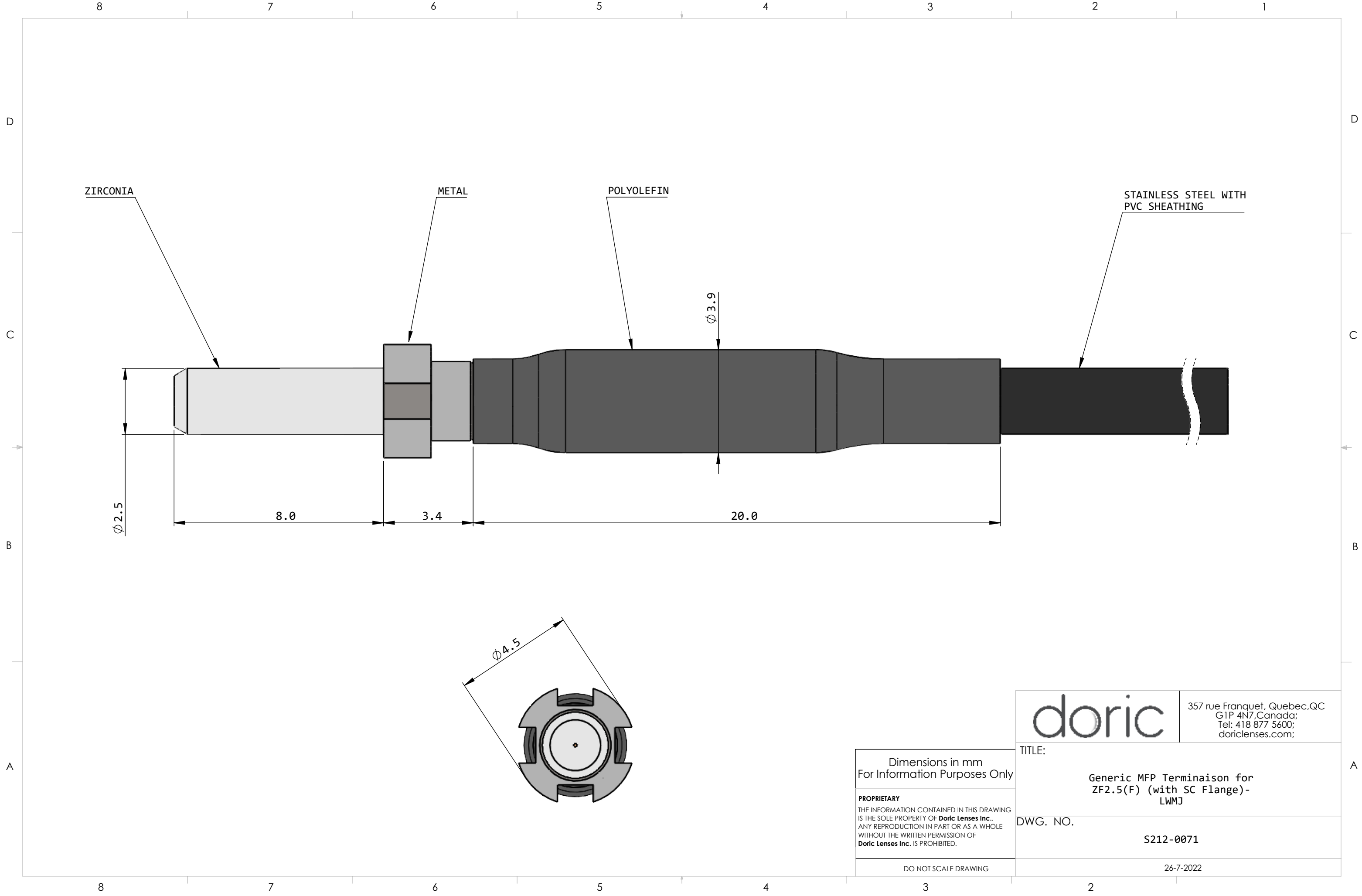
TITLE:
Generic MFP Terminaison for ZF2.5(F) (with SC Flange)-3000

DWG. NO.
S212-0070

5-8-2022

8 7 6 5 4 3 2 1

1



ZIRCONIA

METAL

POLYOLEFIN

STAINLESS STEEL WITH
PVC SHEATHING

$\varnothing 2.5$

8.0

3.4

20.0

$\varnothing 3.9$

$\varnothing 4.5$

doric

357 rue Franquet, Quebec, QC
G1P 4N7, Canada;
Tel: 418 877 5600;
doriclenses.com;

Dimensions in mm
For Information Purposes Only

PROPRIETARY
THE INFORMATION CONTAINED IN THIS DRAWING
IS THE SOLE PROPERTY OF Doric Lenses Inc..
ANY REPRODUCTION IN PART OR AS A WHOLE
WITHOUT THE WRITTEN PERMISSION OF
Doric Lenses Inc. IS PROHIBITED.

DO NOT SCALE DRAWING

TITLE:

Generic MFP Termination for
ZF2.5(F) (with SC Flange)-
LWMJ

DWG. NO.

S212-0071

26-7-2022

8 7 6 5 4 3 2 1

D

D

C

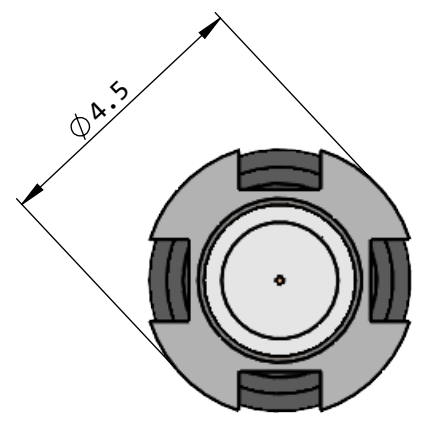
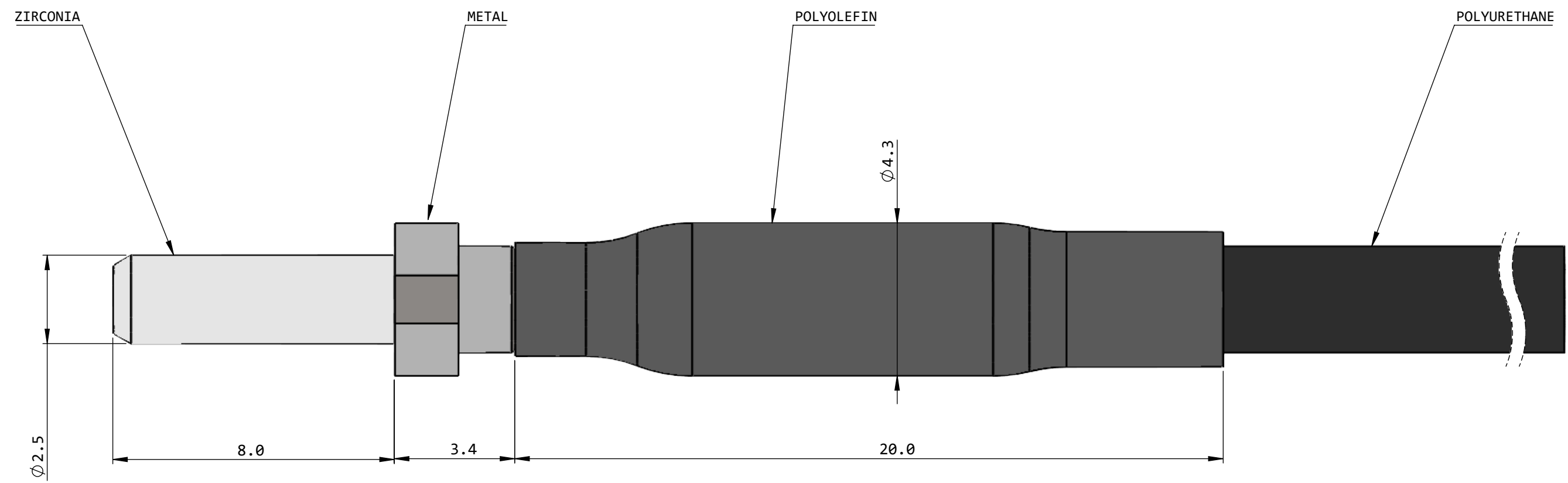
C

B

B

A

A



Dimensions in mm
For Information Purposes Only

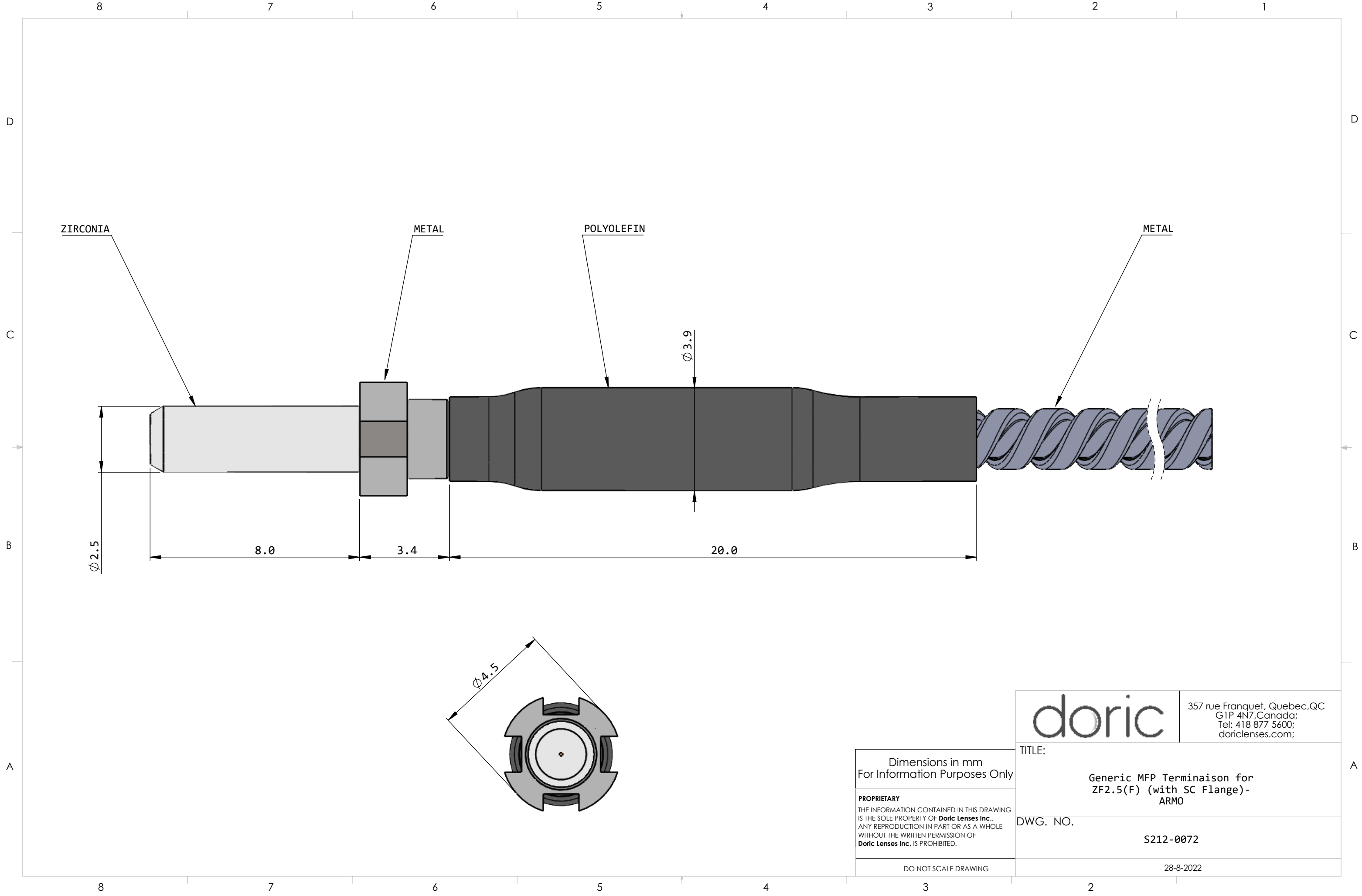
PROPRIETARY
THE INFORMATION CONTAINED IN THIS DRAWING IS THE SOLE PROPERTY OF **Doric Lenses Inc.** ANY REPRODUCTION IN PART OR AS A WHOLE WITHOUT THE WRITTEN PERMISSION OF **Doric Lenses Inc.** IS PROHIBITED.

DO NOT SCALE DRAWING

doric		357 rue Franquet, Quebec, QC G1P 4N7, Canada; Tel: 418 877 5600; doriclenses.com;	
TITLE:		Generic MFP Terminaison for ZF2.5(F) (with SC Flange)- PKMJ	
DWG. NO.		S212-0186	
		11-8-2022	

8 7 6 5 4 3 2 1

1



ZIRCONIA

METAL

POLYOLEFIN

METAL

$\varnothing 2.5$

8.0

3.4

20.0

$\varnothing 3.9$

$\varnothing 4.5$

doric

357 rue Franquet, Quebec, QC
G1P 4N7, Canada;
Tel: 418 877 5600;
doriclenses.com;

Dimensions in mm
For Information Purposes Only

PROPRIETARY
THE INFORMATION CONTAINED IN THIS DRAWING
IS THE SOLE PROPERTY OF **Doric Lenses Inc.**
ANY REPRODUCTION IN PART OR AS A WHOLE
WITHOUT THE WRITTEN PERMISSION OF
Doric Lenses Inc. IS PROHIBITED.

DO NOT SCALE DRAWING

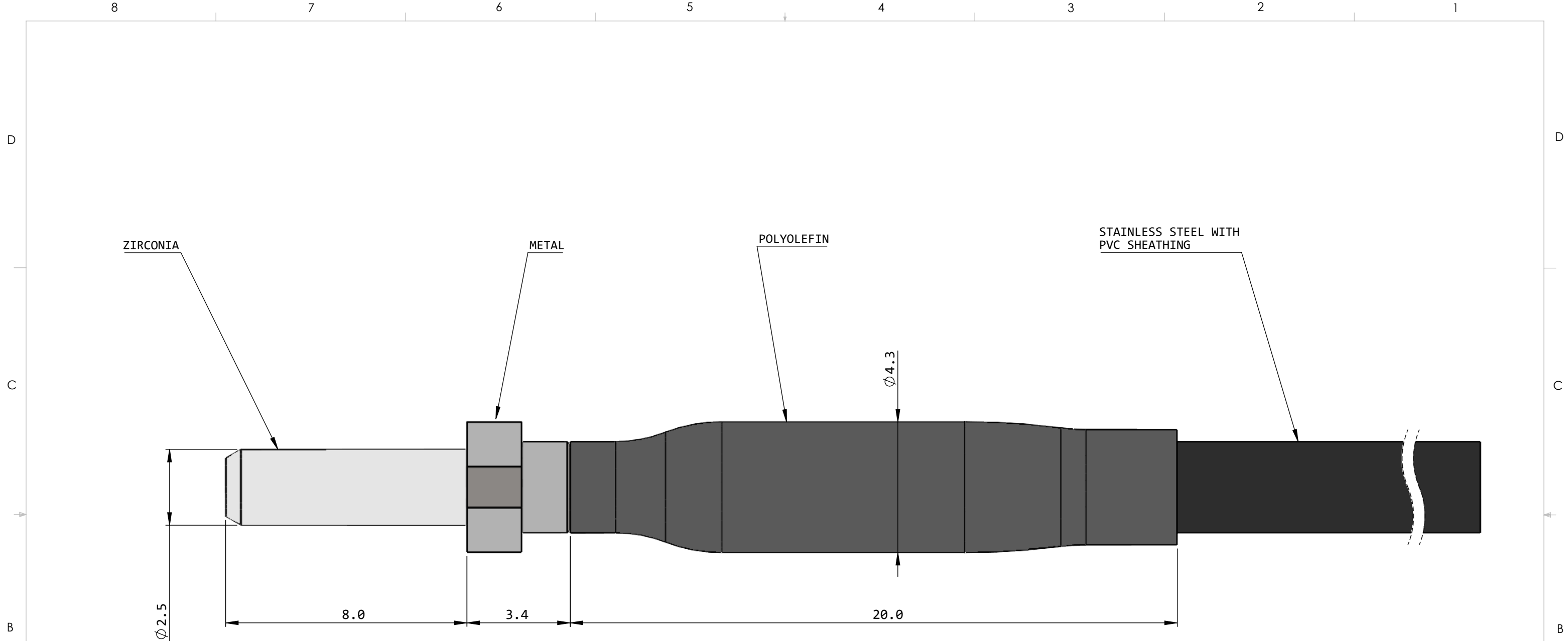
TITLE:

Generic MFP Termination for
ZF2.5(F) (with SC Flange)-
ARMO

DWG. NO.

S212-0072


28-8-2022



Dimensions in mm
For Information Purposes Only

PROPRIETARY
THE INFORMATION CONTAINED IN THIS DRAWING IS THE SOLE PROPERTY OF Doric Lenses Inc.. ANY REPRODUCTION IN PART OR AS A WHOLE WITHOUT THE WRITTEN PERMISSION OF Doric Lenses Inc. IS PROHIBITED.

DO NOT SCALE DRAWING

		357 rue Franquet, Quebec, QC G1P 4N7, Canada; Tel: 418 877 5600; doriclenses.com;	
TITLE:		Generic MFP Termination for ZF2.5(F) (with SC Flange)-ARBK	
DWG. NO.		S212-0210	
		7-10-2022	