

DETAIL A  
SCALE 10 : 1

Dimensions in mm  
For Information Purposes Only

**PROPRIETARY**  
THE INFORMATION CONTAINED IN THIS DRAWING  
IS THE SOLE PROPERTY OF Doric Lenses Inc..  
ANY REPRODUCTION IN PART OR AS A WHOLE  
WITHOUT THE WRITTEN PERMISSION OF  
Doric Lenses Inc. IS PROHIBITED.

DO NOT SCALE DRAWING

**doric**

357 rue Franquet, Quebec, QC  
G1P 4N7, Canada;  
Tel: 418 877 5600;  
doriclenses.com;

TITLE:

Generic MFP Terminaison for  
FC/APC (KIENTEC)-1100 and  
less

DWG. NO.

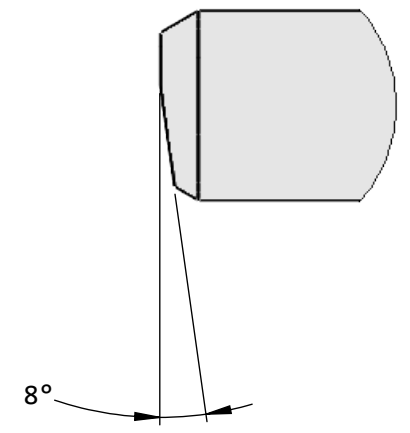
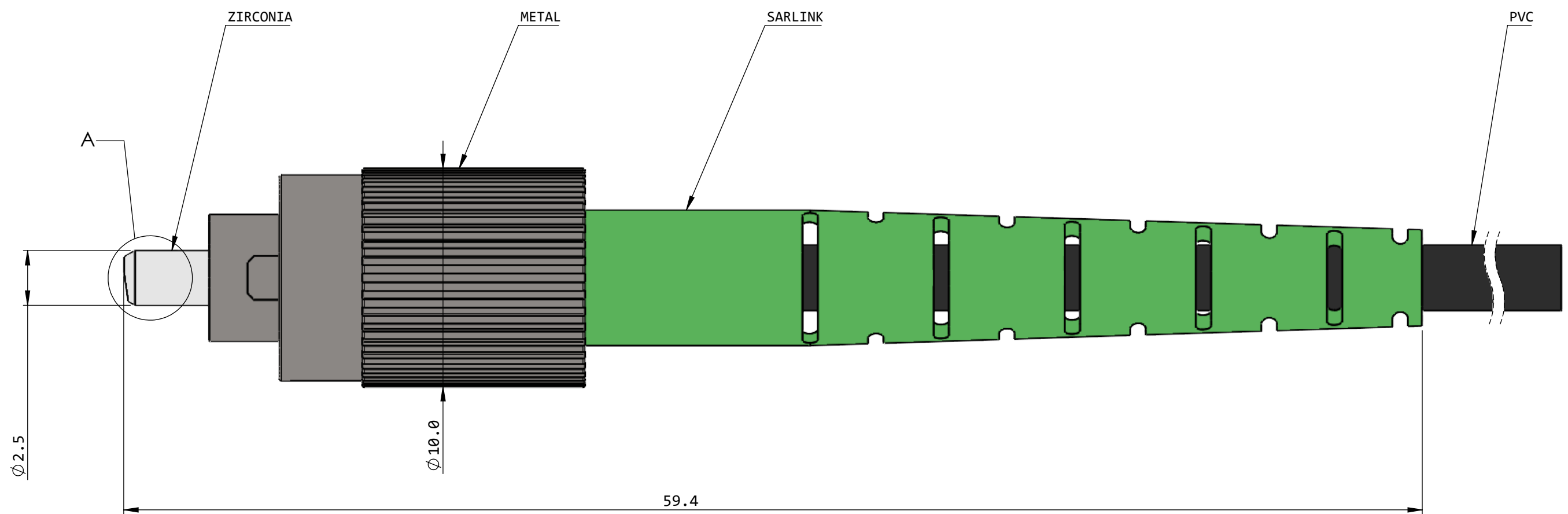
S212-0008

11-7-2022

8 7 6 5 4 3 2 1

D  
C  
B  
A

D  
C  
B  
A



DETAIL A  
SCALE 10 : 1

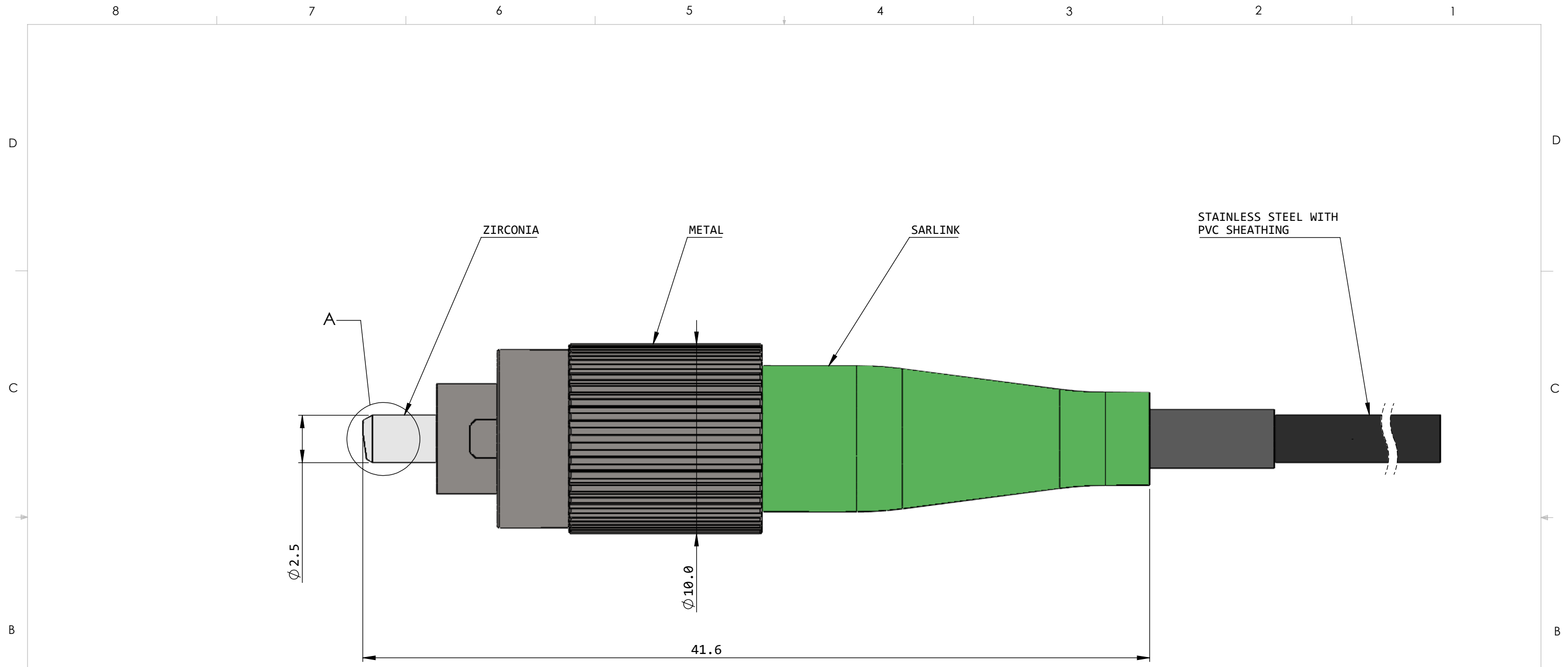
Dimensions in mm  
For Information Purposes Only

**PROPRIETARY**  
THE INFORMATION CONTAINED IN THIS DRAWING  
IS THE SOLE PROPERTY OF **Doric Lenses Inc.**..  
ANY REPRODUCTION IN PART OR AS A WHOLE  
WITHOUT THE WRITTEN PERMISSION OF  
**Doric Lenses Inc.** IS PROHIBITED.

DO NOT SCALE DRAWING

<b>doric</b>		357 rue Franquet, Quebec, QC G1P 4N7, Canada; Tel: 418 877 5600; doriclenses.com;	
TITLE:		Generic MFP Terminaison for FC/APC (KIENTEC)-3000	
DWG. NO.		S212-0010	
		28-7-2022	

8 7 6 5 4 3 2 1



DETAIL A  
SCALE 10:1

Dimensions in mm  
For Information Purposes Only

**PROPRIETARY**  
THE INFORMATION CONTAINED IN THIS DRAWING IS THE SOLE PROPERTY OF Doric Lenses Inc.. ANY REPRODUCTION IN PART OR AS A WHOLE WITHOUT THE WRITTEN PERMISSION OF Doric Lenses Inc. IS PROHIBITED.

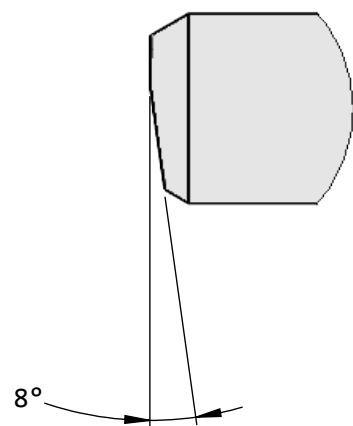
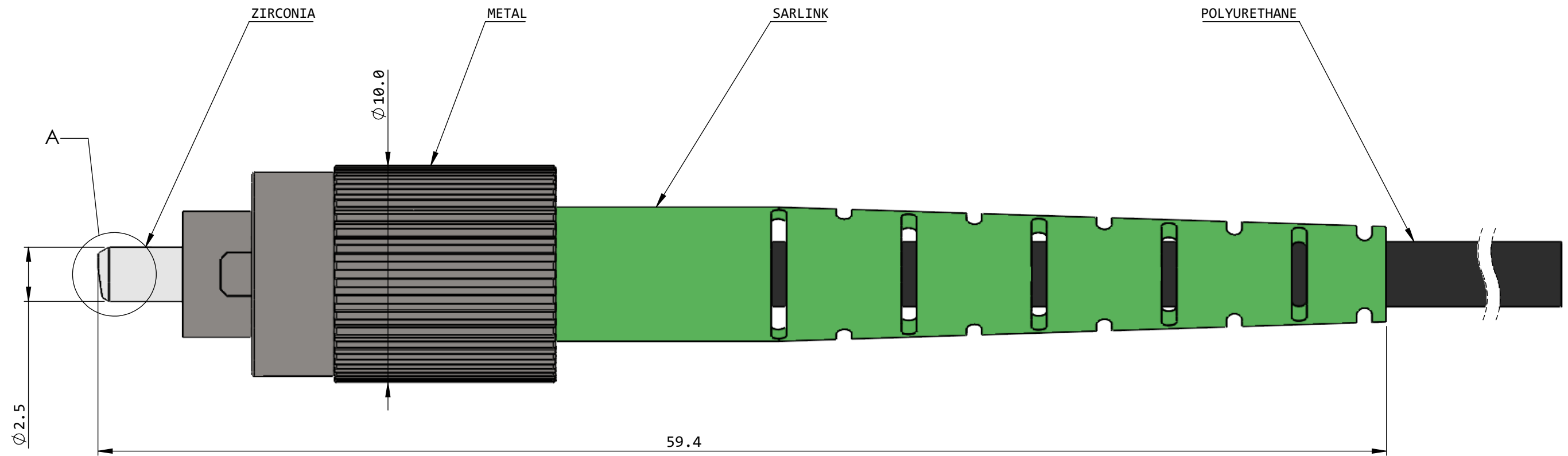
DO NOT SCALE DRAWING

<b>doric</b>		357 rue Franquet, Quebec, QC G1P 4N7, Canada; Tel: 418 877 5600; doriclenses.com;	
TITLE:		Generic MFP Termination for FC/APC (KIENTEC)-LWMJ	
DWG. NO.		S212-0011	
		11-7-2022	

8 7 6 5 4 3 2 1

D  
C  
B  
A

D  
C  
B  
A



DETAIL A  
SCALE 10 : 1

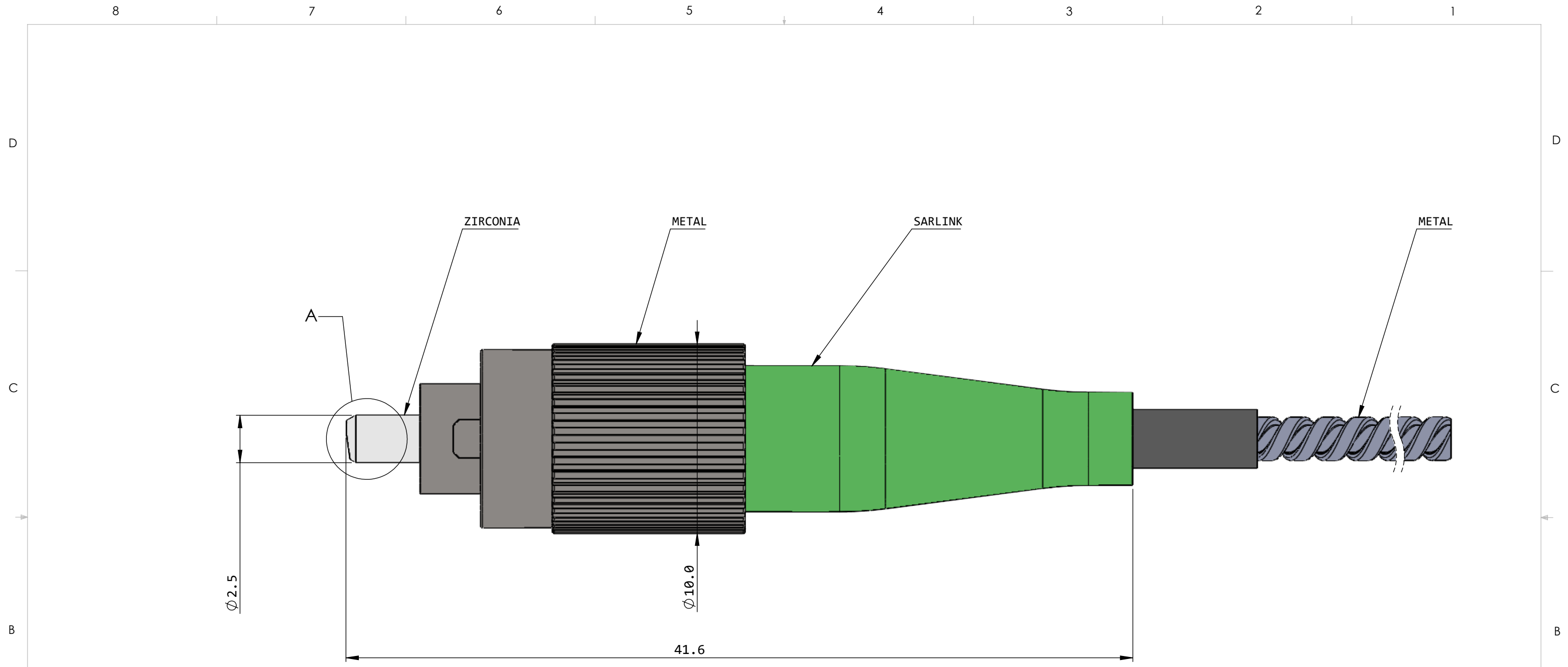
Dimensions in mm  
For Information Purposes Only

**PROPRIETARY**  
THE INFORMATION CONTAINED IN THIS DRAWING IS THE SOLE PROPERTY OF Doric Lenses Inc.. ANY REPRODUCTION IN PART OR AS A WHOLE WITHOUT THE WRITTEN PERMISSION OF Doric Lenses Inc. IS PROHIBITED.

DO NOT SCALE DRAWING

<b>doric</b>		357 rue Franquet, Quebec, QC G1P 4N7, Canada; Tel: 418 877 5600; doriclenses.com;	
TITLE:		Generic MFP Terminaison for FC/APC (KIENTEC)-PKMJ	
DWG. NO.		S212-0168	
		9-8-2022	

8 7 6 5 4 3 2 1



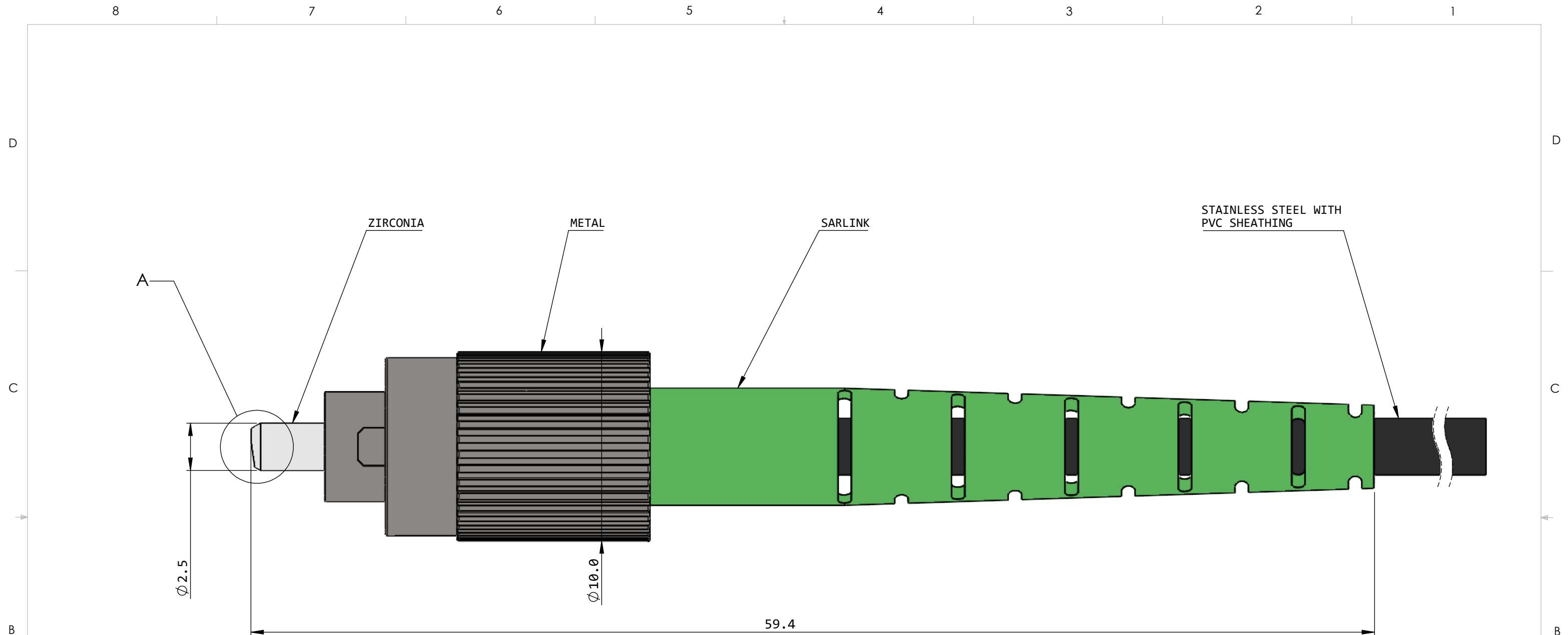
DETAIL A  
SCALE 10 : 1

Dimensions in mm  
For Information Purposes Only

**PROPRIETARY**  
THE INFORMATION CONTAINED IN THIS DRAWING  
IS THE SOLE PROPERTY OF **Doric Lenses Inc.**..  
ANY REPRODUCTION IN PART OR AS A WHOLE  
WITHOUT THE WRITTEN PERMISSION OF  
**Doric Lenses Inc.** IS PROHIBITED.

DO NOT SCALE DRAWING

<b>doric</b>		357 rue Franquet, Quebec, QC G1P 4N7, Canada; Tel: 418 877 5600; doriclenses.com;	
TITLE:		Generic MFP Termination for FC/APC (KIENTEC)-ARMO	
DWG. NO.		S212-0012	
		15-8-2022	



DETAIL A  
SCALE 10 : 1

Dimensions in mm  
For Information Purposes Only

**PROPRIETARY**  
THE INFORMATION CONTAINED IN THIS DRAWING IS THE SOLE PROPERTY OF **Doric Lenses Inc.** ANY REPRODUCTION IN PART OR AS A WHOLE WITHOUT THE WRITTEN PERMISSION OF **Doric Lenses Inc.** IS PROHIBITED.

DO NOT SCALE DRAWING

<b>doric</b>		357 rue Franquet, Quebec, QC G1P 4N7, Canada; Tel: 418 877 5600; doriclenses.com;	
TITLE:		Generic MFP Termination for FC/APC (KIENTEC)-ARBK	
DWG. NO.		S212-0192	
		1-9-2022	