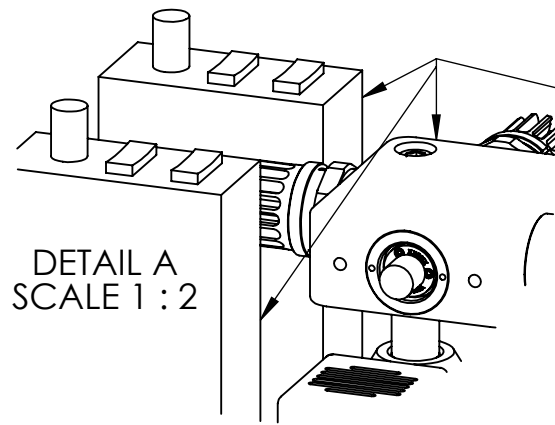
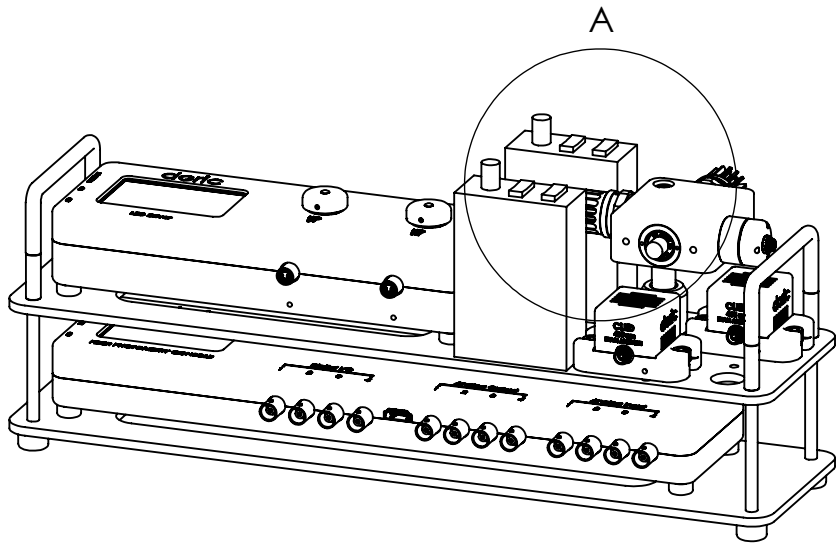
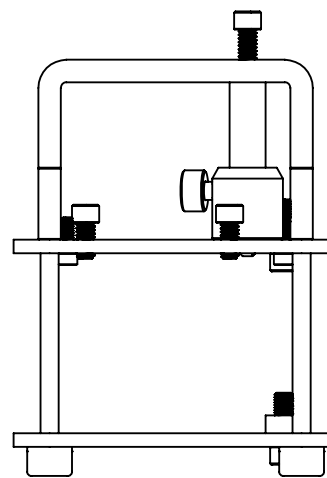
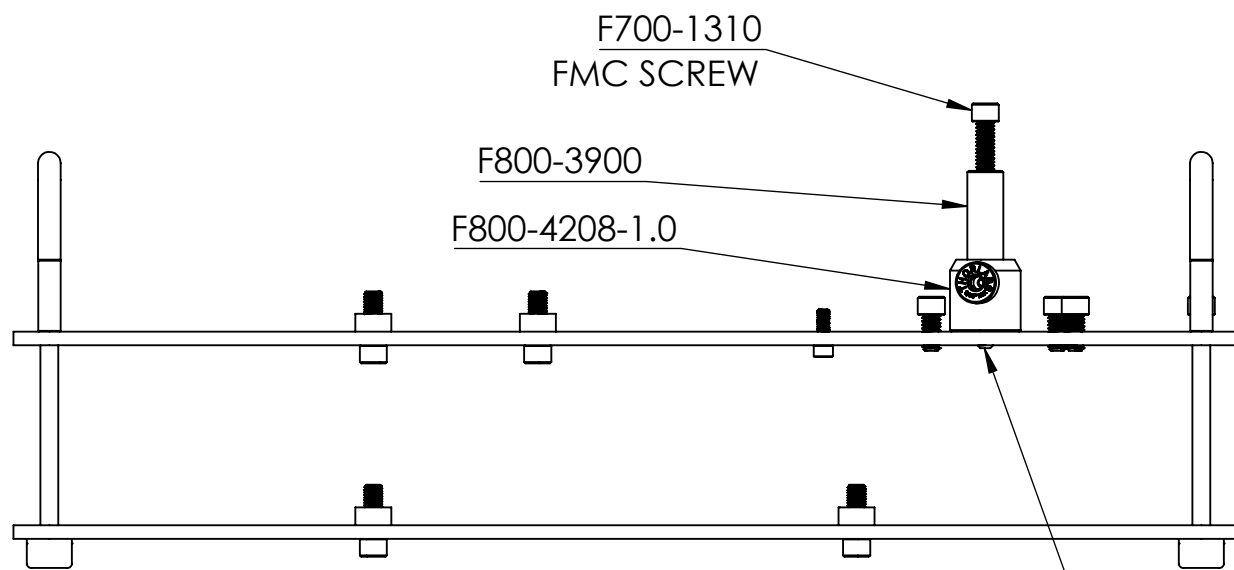
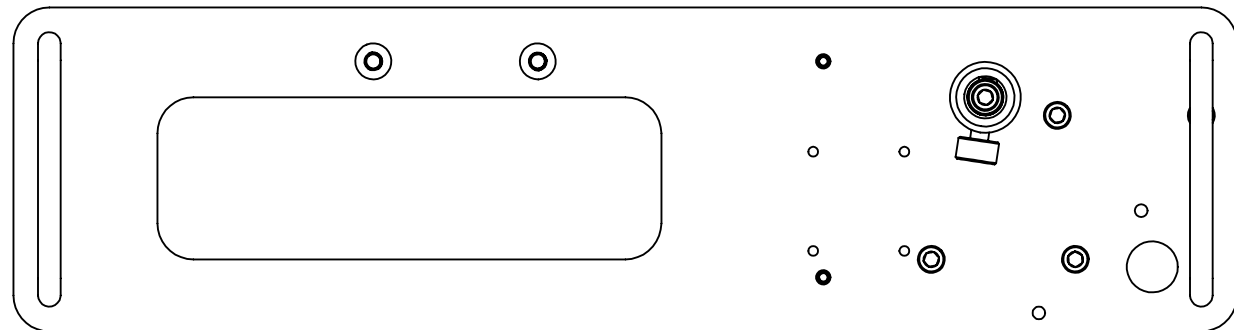
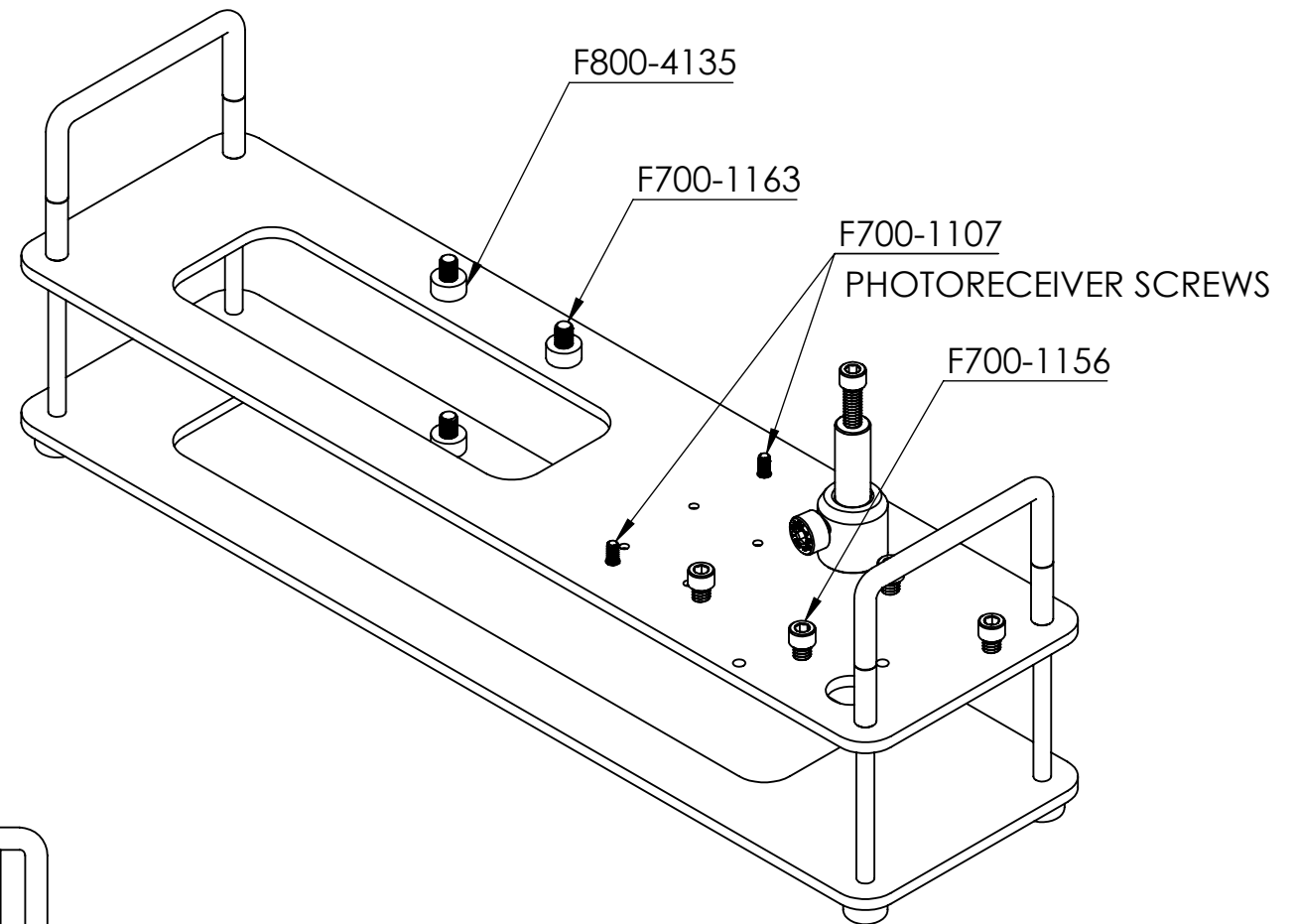


ITEM #	QTY	PART NUM	REV	DESCRIPTION
9	4	F800-4135		NYLON UNTHREADED SPACERS, 1/2" OD, 1/4" LONG, BLACK, MCMMASTER 90176A155
10	4	F700-1163		SHCS_0.2500-28_0.7500L_SS_304, MCMMASTER 92196A321
11	4	F700-1156		SHCS_0.2500-20_0.5000L_SS_304, MCMMASTER 92196A537
12	1	F700-1162		SET-SCREW-CUP_0.2500-20_0.5000L_SS_304, MCMMASTER 92311A537
13	1	F800-4208-1.0		Optical Post Holder 0.5 in diameter, 1.0 inch long
14	1	F800-3900		THORSLABS - TR2 - Ø1/2" OPTICAL POST, SS, 8-32 SETSCREW, 1/4"-20 TAP, L = 2"
15	ITEMS BELOW THIS LINE ARE PAKAGED SEPERATELY			
16	2	F700-1107		SHCS_8-32_0.5000L_SS_304, MCMMASTER 92196A194
17	1	F700-1310		SHCS_0.2500-20_1.0000L_SS_304, MCMMASTER 92196A542


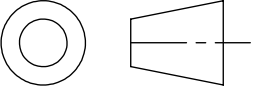


FMC AND NEW PORT PHOTORECEIVER ARE PACKAGED SEPERATELY



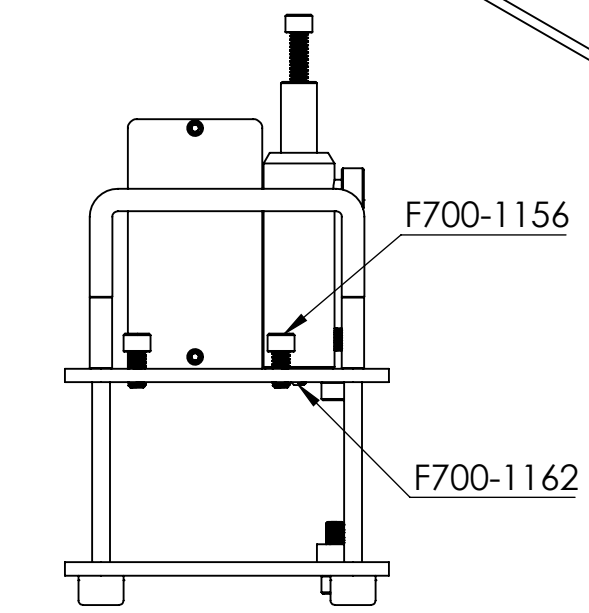
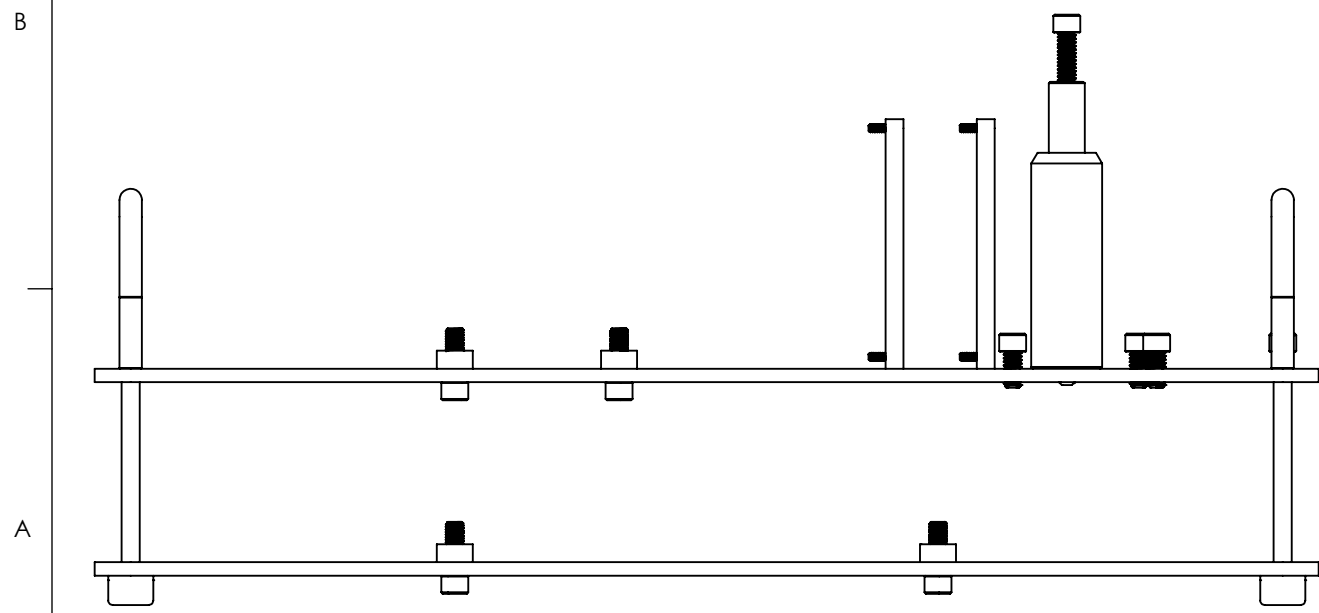
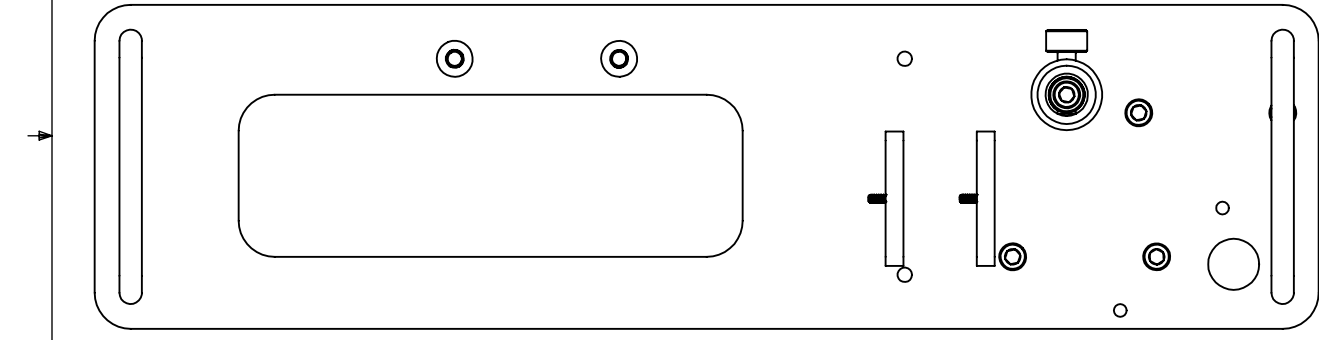
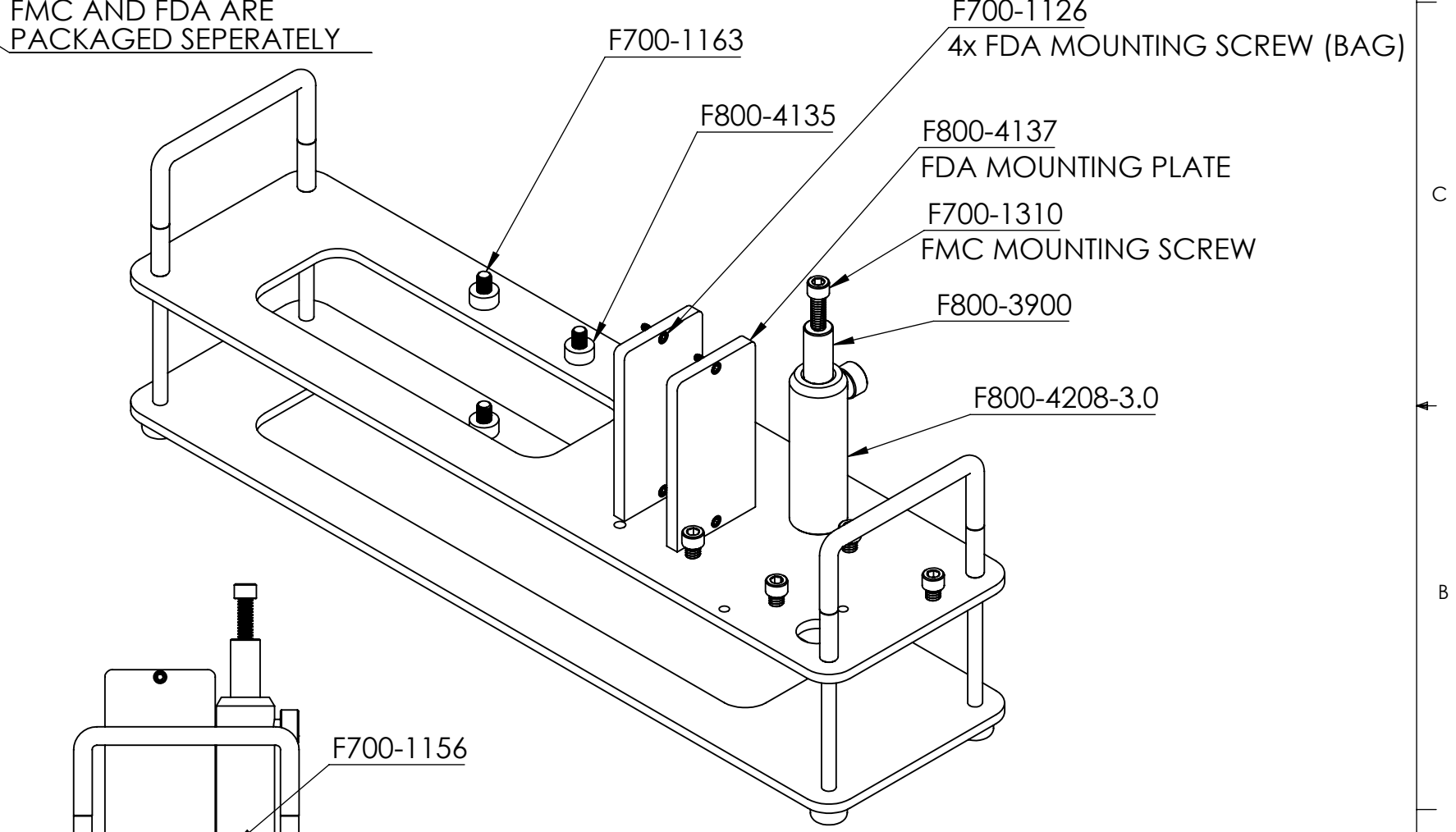
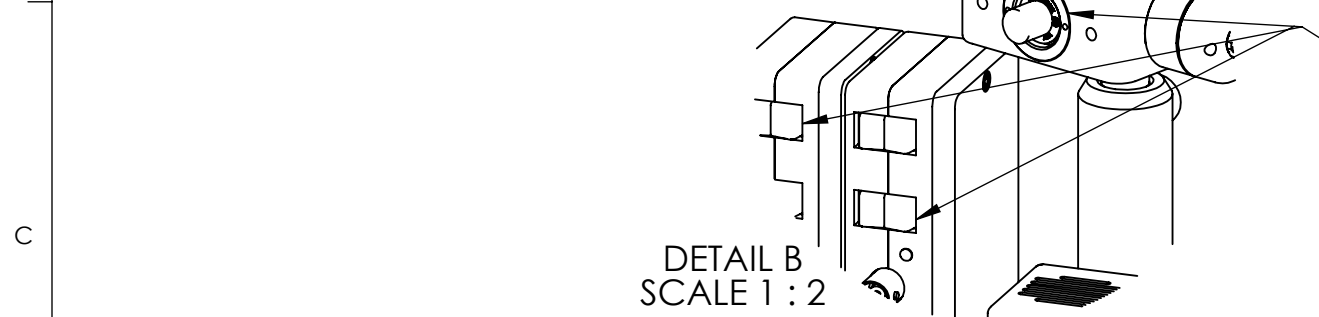
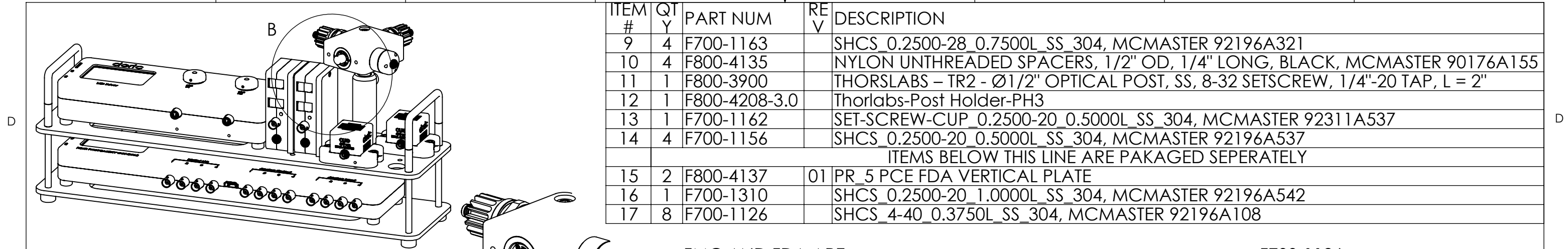
F700-1162

REPRESENTATION OF NEWPORT PHOTORECEIVER ASSEMBLY

UNLESS OTHERWISE SPECIFIED:	NAME	DATE	 357 rue Franquet, Quebec, QC G1P 4N7, Canada, Tel: 418 877 5600
DIMENSIONS ARE IN MM	DRAWN		
ANGULAR: ± 0.25 deg	CHECKED		TITLE:
ONE PLACE DECIMAL ±0.2	ENG APPR.		PR_5 - FIBER PHOTOMETRY RACK - N.P. PHOTORECEIVER
TWO PLACE DECIMAL ±0.10	MFG APPR.		SIZE DWG. NO. REV
THREE PLACE DECIMAL ±0.050	Q.A.		<b>B</b> D460-0101-001 <b>01</b>
INTERPRET GEOMETRIC TOLERANCING PER:	Third angle projection:		WEIGHT: SHEET 1 OF 3
MATERIAL			
FINISH			
Ra 1.6			
DO NOT SCALE DRAWING			

**PROPRIETARY AND CONFIDENTIAL**  
 THE INFORMATION CONTAINED IN THIS DRAWING IS THE SOLE PROPERTY OF Doric Lenses Inc.. ANY REPRODUCTION IN PART OR AS A WHOLE WITHOUT THE WRITTEN PERMISSION OF Doric Lenses Inc. IS PROHIBITED.

ITEM #	QTY	PART NUM	REV	DESCRIPTION
9	4	F700-1163		SHCS_0.2500-28_0.7500L_SS_304, MCMMASTER 92196A321
10	4	F800-4135		NYLON UNTHREADED SPACERS, 1/2" OD, 1/4" LONG, BLACK, MCMMASTER 90176A155
11	1	F800-3900		THORSLABS - TR2 - Ø1/2" OPTICAL POST, SS, 8-32 SETSCREW, 1/4"-20 TAP, L = 2"
12	1	F800-4208-3.0		Thorlabs-Post Holder-PH3
13	1	F700-1162		SET-SCREW-CUP_0.2500-20_0.5000L_SS_304, MCMMASTER 92311A537
14	4	F700-1156		SHCS_0.2500-20_0.5000L_SS_304, MCMMASTER 92196A537
ITEMS BELOW THIS LINE ARE PAKAGED SEPERATELY				
15	2	F800-4137	01	PR_5 PCE FDA VERTICAL PLATE
16	1	F700-1310		SHCS_0.2500-20_1.0000L_SS_304, MCMMASTER 92196A542
17	8	F700-1126		SHCS_4-40_0.3750L_SS_304, MCMMASTER 92196A108

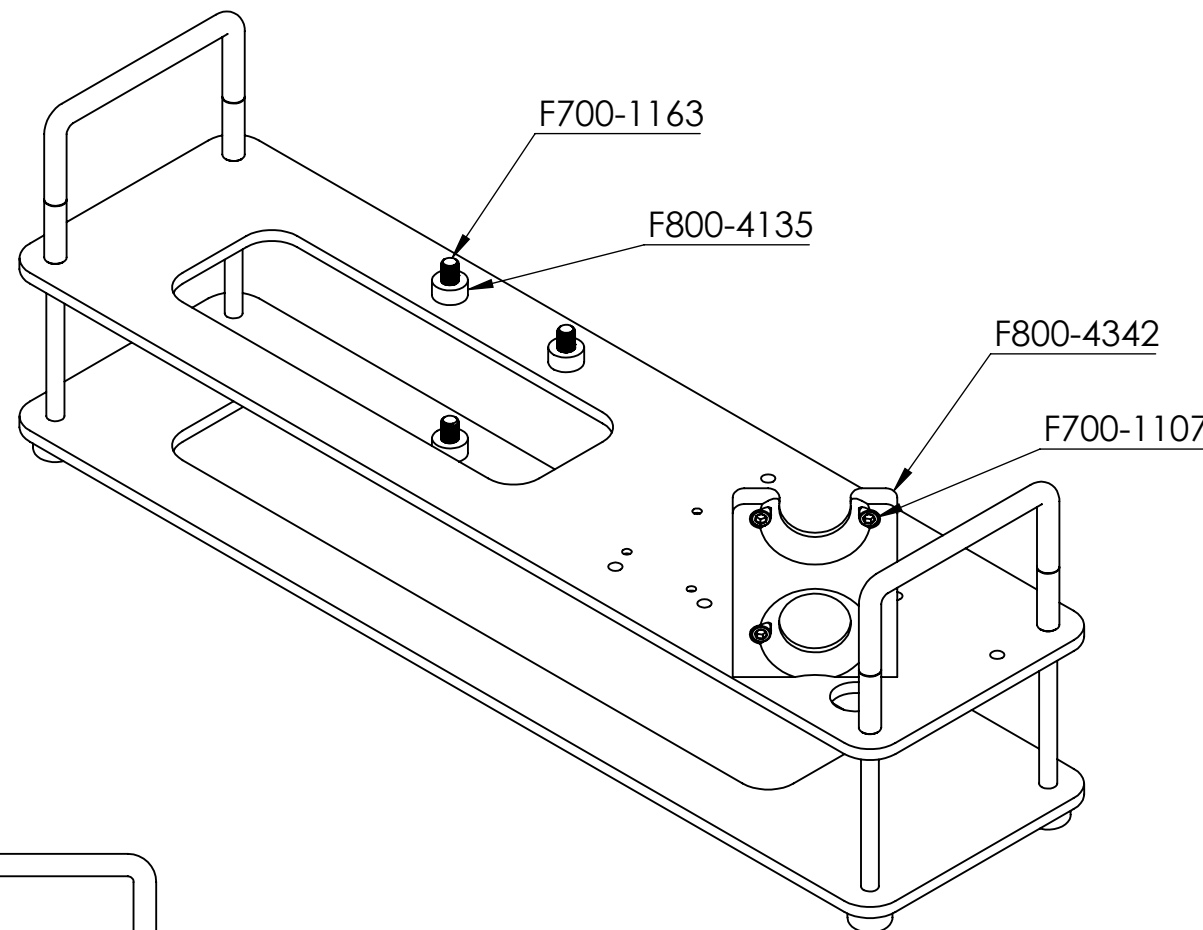
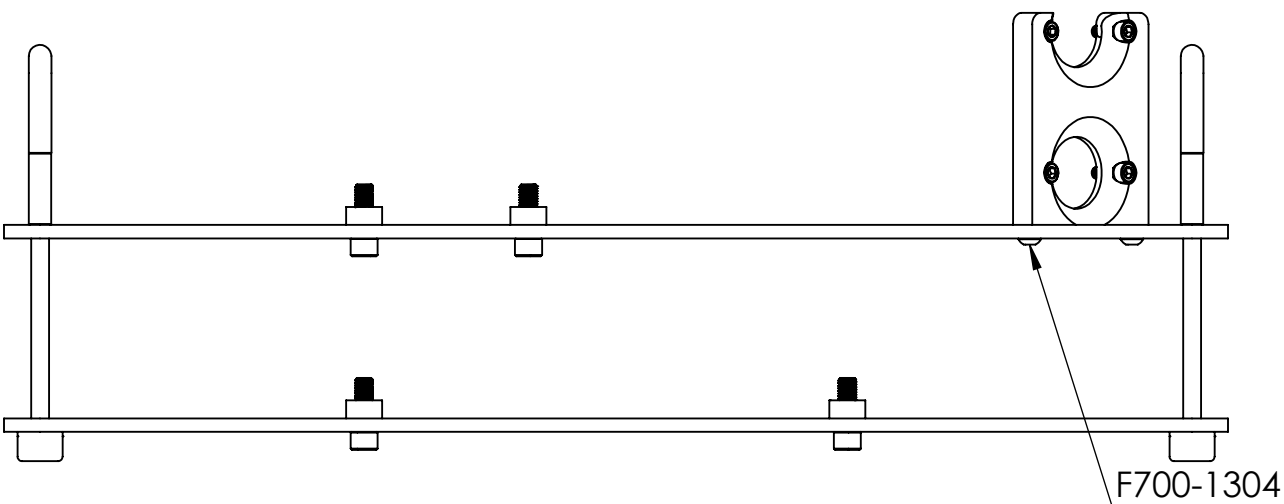
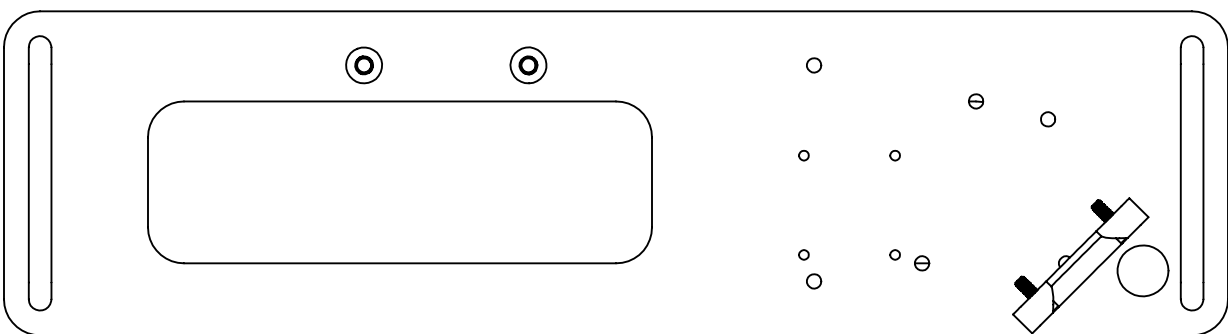
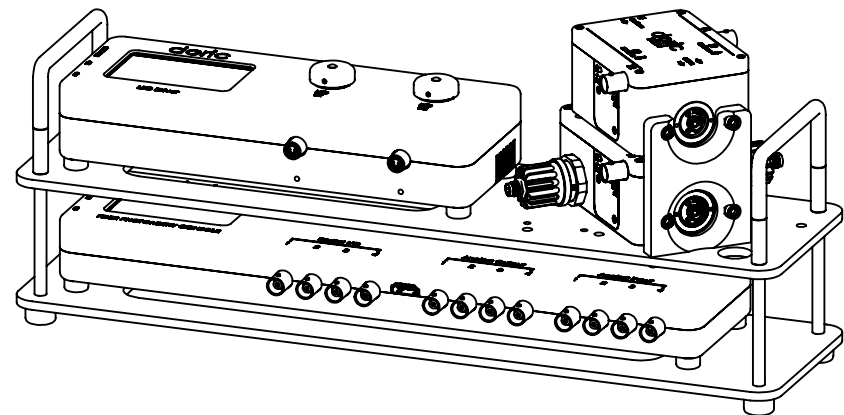


REPRESENTATION OF DORIC FDA ASSEMBLY


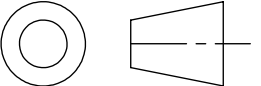
UNLESS OTHERWISE SPECIFIED:		NAME	DATE	357 rue Franquet, Quebec, QC G1P 4N7, Canada, Tel: 418 877 5600
DIMENSIONS ARE IN MM		DRAWN		
ANGULAR: ± 0.25 deg		CHECKED		TITLE:
ONE PLACE DECIMAL ±0.2		ENG APPR.		PR_5 - FIBER PHOTOMETRY RACK - FDA
TWO PLACE DECIMAL ±0.10		MFG APPR.		
THREE PLACE DECIMAL ±0.050		Q.A.		SIZE
INTERPRET GEOMETRIC TOLERANCING PER:		Third angle projection:		DWG. NO.
MATERIAL				REV
FINISH				<b>B</b> D460-0101-002 <b>01</b>
DO NOT SCALE DRAWING				WEIGHT:
				SHEET 2 OF 3

**PROPRIETARY AND CONFIDENTIAL**  
 THE INFORMATION CONTAINED IN THIS DRAWING IS THE SOLE PROPERTY OF Doric Lenses Inc.. ANY REPRODUCTION IN PART OR AS A WHOLE WITHOUT THE WRITTEN PERMISSION OF Doric Lenses Inc. IS PROHIBITED.

ITEM #	QTY	PART NUM	REV	DESCRIPTION
9	4	F700-1163		SHCS_0.2500-28_0.7500L_SS_304, MCMASTER 92196A321
10	4	F800-4135		NYLON UNTHREADED SPACERS, 1/2" OD, 1/4" LONG, BLACK, MCMASTER 90176A155
11	4	F700-1107		SHCS_8-32_0.5000L_SS_304, MCMASTER 92196A194
12	1	F800-4342	01	PHOTOMETRY RACK - DUAL IFMC/ILFMC MOUNTING BRACKET
13	2	F700-1304		BHCS_8-32_0.5000L_SS_304, MCMASTER 92949A194



REPRESENTATION OF DORIC IFMC/ILFMC ASSEMBLY

UNLESS OTHERWISE SPECIFIED:	NAME	DATE	 357 rue Franquet, Quebec, QC G1P 4N7, Canada, Tel: 418 877 5600
DIMENSIONS ARE IN MM	DRAWN		
ANGULAR: ± 0.25 deg	CHECKED		TITLE:
ONE PLACE DECIMAL ±0.2	ENG APPR.		PR_5 - FIBER PHOTOMETRY RACK - IFMC/ILFMC
TWO PLACE DECIMAL ±0.10	MFG APPR.		SIZE DWG. NO. REV
THREE PLACE DECIMAL ±0.050	Q.A.		<b>B</b> D460-0101-003 <b>01</b>
INTERPRET GEOMETRIC TOLERANCING PER:	Third angle projection:		WEIGHT: SHEET 3 OF 3
MATERIAL			
FINISH			
DO NOT SCALE DRAWING			

**PROPRIETARY AND CONFIDENTIAL**  
 THE INFORMATION CONTAINED IN THIS DRAWING IS THE SOLE PROPERTY OF Doric Lenses Inc.. ANY REPRODUCTION IN PART OR AS A WHOLE WITHOUT THE WRITTEN PERMISSION OF Doric Lenses Inc. IS PROHIBITED.